

Specification and Feature

- Provides protection against earth fault/leakage current and function of isolation
- High breaking current withstand capacity
- Contact position indication
- Equipped with finger protected connection terminals
- Fire resistant plastic parts endures abnormal heating and strong impact
- Automatically disconnect the circuit when earth fault/leakage current occurs and exceeds the rated sensitivity
- Independent of power supply and line voltage, and free from external interference, voltage fluctuationV



BSR6 2P



BSR6N 2P (New)



BSR6 4P



BSR6N 4P (New)

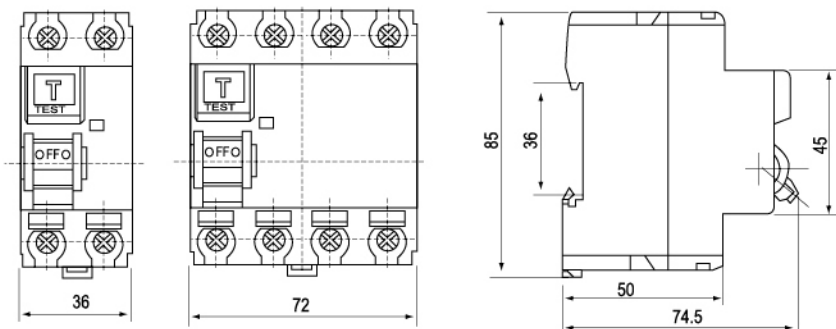
Technical Data

Mode	Electro-magnetic type, electronic type
Residual current characteristic	A, AC
Pole No.	2, 4
Rated making and breaking capacity	630A
Rated current(A)	16, 25, 40, 63
Rated voltage	230/400V AC
Rated frequency	50/60Hz
Rated residual operating current I Δ n(mA)	10, 30, 100, 300, 500
Rated residual non operating current I Δ no	0.5I Δ n
Rated conditional breaking current Inc	6000A
Rated conditional residual breaking current I Δ c	6000A
Tripping duration	Instantaneous tripping \leq 0.1s
Residual tripping current range	0.5I Δ n~I Δ n
Electro-mechanical endurance	4000 cycles
Connection capacity	Rigid conductor up to 25mm ²
Connection terminal	Pillar terminal with clamp
Fastening torque	2.0 Nm
Installation	On symmetrical DIN rail 35mm
	Panel mounting

Wiring Diagram



Overall & Installation Dimensions



Residual Current Device